



# Illustrated Parts List

## Model Series

# 10T600

TYPE NUMBER  
0111 through 3705.

### TABLE OF CONTENTS

<b>Air Cleaner</b> .....	5
<b>Blower Housing/Shrouds</b> .....	6
<b>Brake</b> .....	5
<b>Camshaft</b> .....	3
<b>Carburetor</b> .....	4
<b>Controls</b> .....	5
<b>Crankcase Cover/Sump</b> .....	3
<b>Crankshaft</b> .....	3
<b>Cylinder</b> .....	2
<b>Cylinder Head</b> .....	2
<b>Exhaust System</b> .....	5
<b>Flywheel</b> .....	6
<b>Fuel Supply</b> .....	4
<b>Gasket Set - Engine</b> .....	2
<b>Gasket Set - Valve</b> .....	2
<b>Governor Spring</b> .....	5
<b>Ignition</b> .....	5
<b>Lubrication</b> .....	2
<b>Operator's Manual</b> .....	2
<b>Piston/Rings/Connecting Rod</b> .....	3
<b>Rewind Starter</b> .....	6
<b>Warning Label</b> .....	2

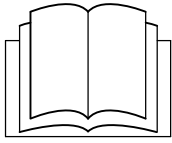
PRINTED IN U.S.A.



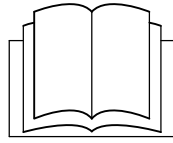
COPYRIGHT by BRIGGS & STRATTON CORPORATION  
All rights reserved. No part of this material may be reproduced or transmitted,  
in any form or by any means, electronic or mechanical, including photocopying,  
recording or by any information storage and retrieval system, without permission  
in writing from Briggs & Stratton Corporation.

# 10T600

1058 OPERATOR'S MANUAL



1330 REPAIR MANUAL



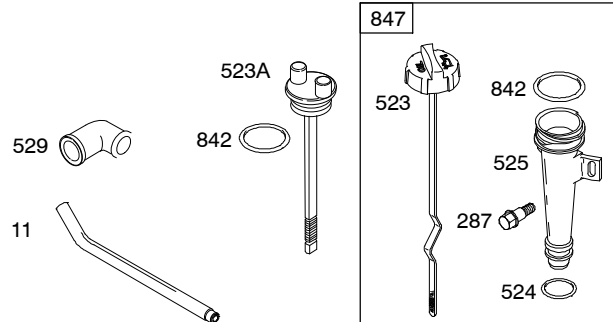
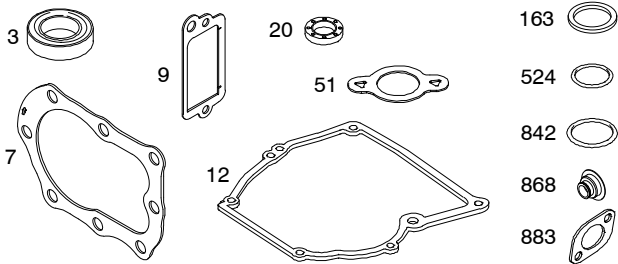
1319 WARNING LABEL

**WARNING**

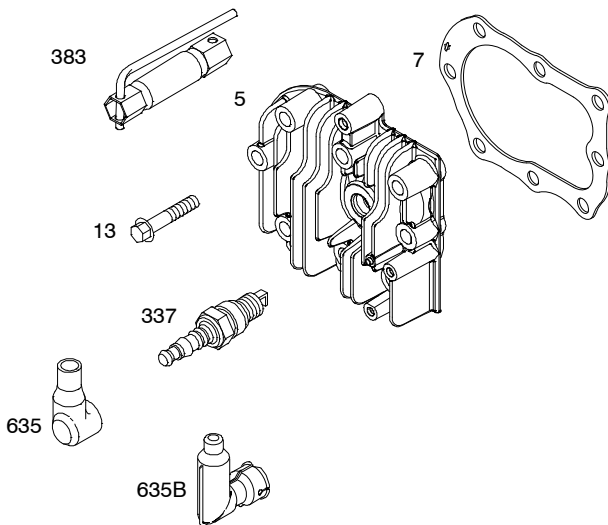
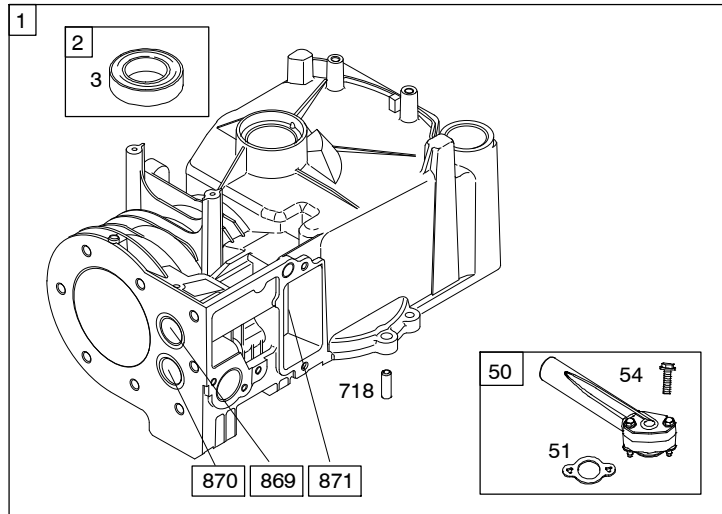
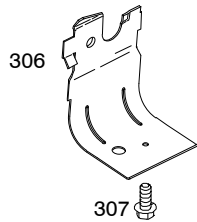
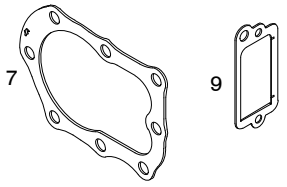
- Read and follow Operating Instructions before running engine.
- Gasoline is flammable. Allow engine to cool at least 2 minutes before refueling.
- Engines emit carbon monoxide, DO NOT run in enclosed area.
- Muffler area temperature may exceed 150°F. Do not touch hot parts.

**REQUIRED** when replacing parts with warning labels affixed.

358 ENGINE GASKET SET

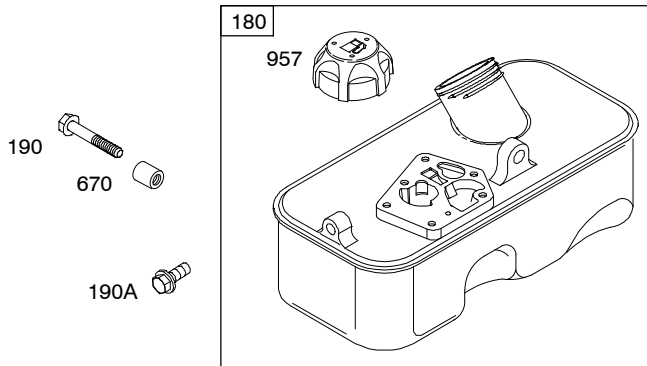
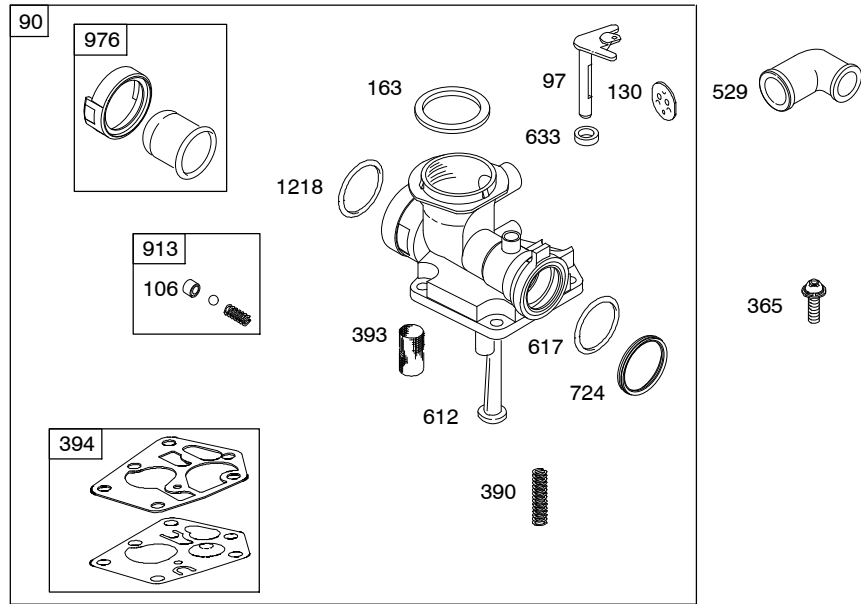


1095 VALVE GASKET SET

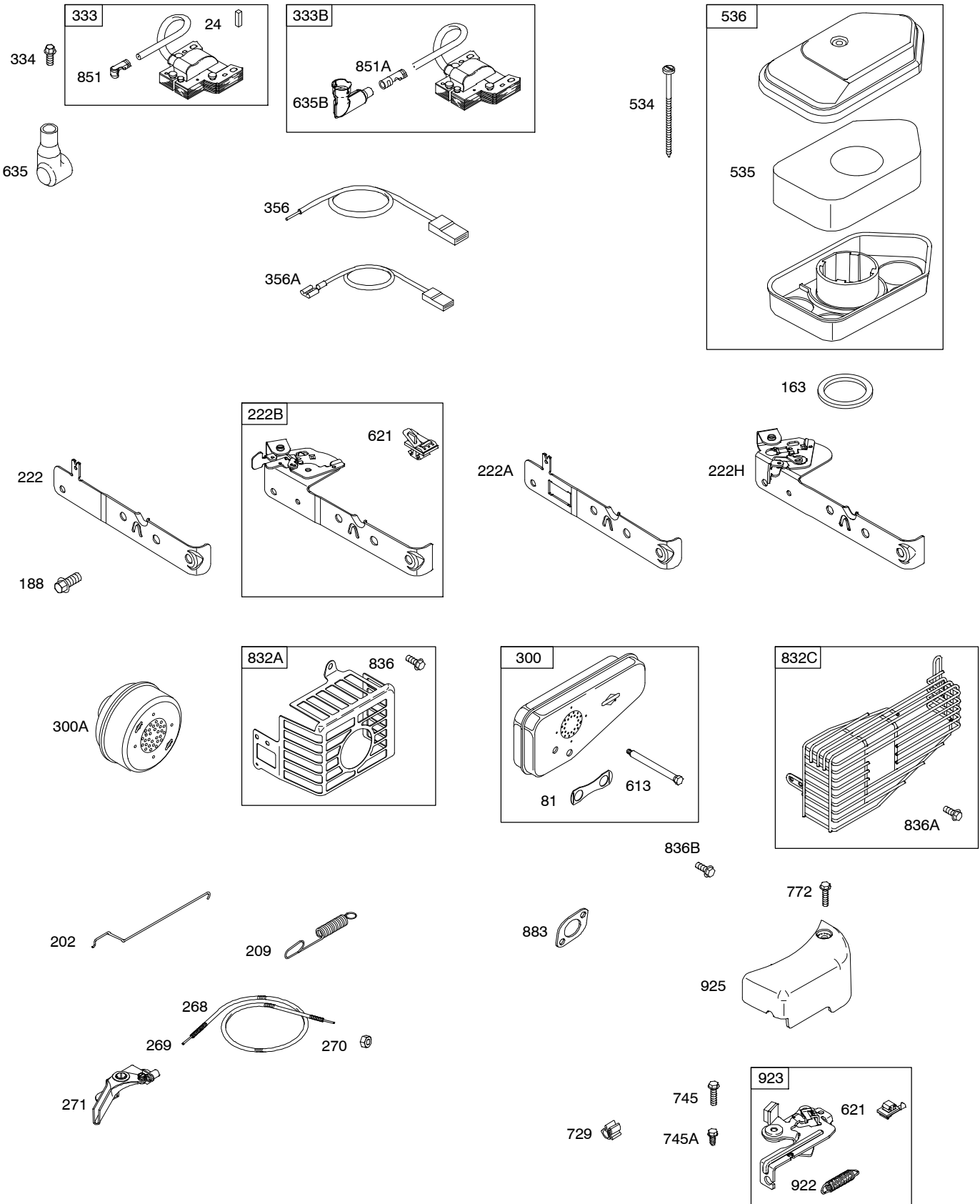


Illustrations cover a range of engines. Parts shown without corresponding text may not be used on your specific engine.

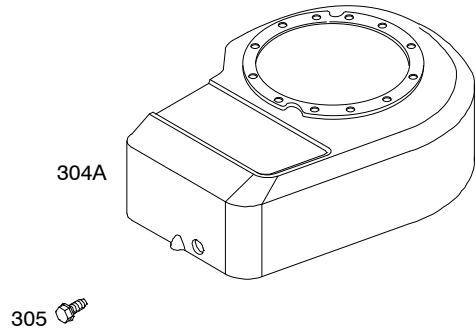
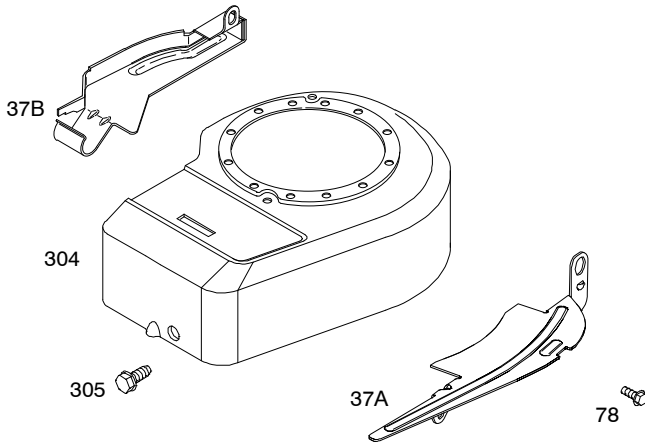
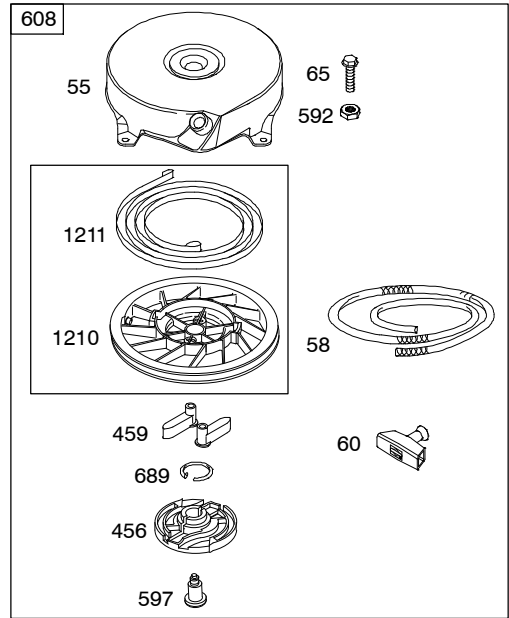
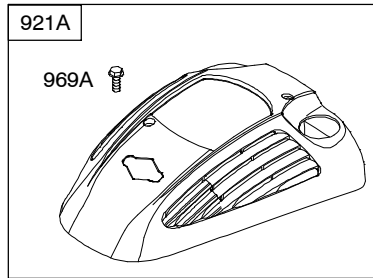
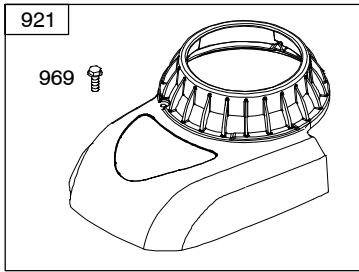




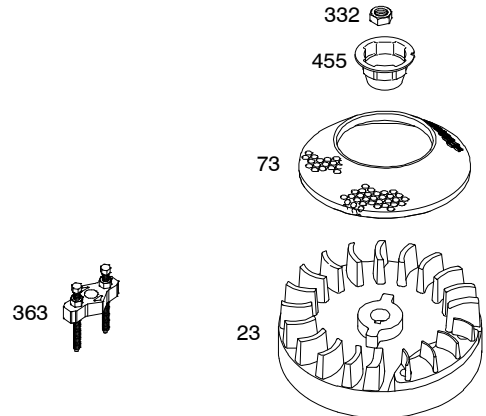
*Illustrations cover a range of engines. Parts shown without corresponding text may not be used on your specific engine.*



Illustrations cover a range of engines. Parts shown without corresponding text may not be used on your specific engine.  
 3746-5 Assemblies include all parts shown in frames. 05/27/2008



1036 EMISSIONS LABEL



Illustrations cover a range of engines. Parts shown without corresponding text may not be used on your specific engine.  
 3746-6 Assemblies include all parts shown in frames.

05/27/2008

REF. NO.	PART NO.	DESCRIPTION	REF. NO.	PART NO.	DESCRIPTION	REF. NO.	PART NO.	DESCRIPTION
1	699650	Cylinder Assembly	24	222698S	Key-Flywheel	58	697316	Rope-Starter (88 5/8" Long) Used on Type No(s). 0113, 0114, 0115, 0556, 0705, 1010, 1085, 3705.
2	399269	Kit-Bushing/Seal (Magneto Side)	25	790908	Piston Assembly (Standard)			
3	★299819S	Seal-Oil (Magneto Side)			----- <b>Note</b> -----			
4	698691	Sump-Engine			792532 Piston Assembly (.020" Oversize)			
5	790169	Head-Cylinder	26	790909	Ring Set (Standard)			691921 Rope-Starter (70" Long) Used on Type No(s). 0111, 0112, 0116.
7	★Δ698717	Gasket-Cylinder Head			----- <b>Note</b> -----			
8	791781	Breather Assembly			795134 Ring Set (.020" Oversize)	60	691915	Grip-Starter Rope
9	★Δ695890	Gasket-Breather				65	690837	Screw (Rewind Starter)
10	691666	Screw (Breather Assembly)	27	691588	Lock-Piston Pin	73	699850	Screen-Rotating
11	691245	Tube-Breather	28	699659	Pin-Piston	78	692198	Screw (Flywheel Guard)
12	★692218	Gasket-Crankcase (Standard) (.015" Thick)	29	699654	Rod-Connecting	81	691179	Lock-Muffler Screw Used on Type No(s). 0113, 0116, 1010.
		----- <b>Note</b> -----	32	691664	Screw (Connecting Rod)	90	790206	Carburetor
		★270895 Gasket-Crankcase (.005" Thick)	33	296676	Valve-Exhaust	97	697414	Shaft-Throttle
		★270896 Gasket-Crankcase (.009" Thick)	34	296677	Valve-Intake	106	691901	Seat-Inlet
13	691640	Screw (Cylinder Head)	35	690520	Spring-Valve (Intake)	130	691190	Valve-Throttle
15	691680	Plug-Oil Drain	36	690520	Spring-Valve (Exhaust)	163	★271139S	Gasket-Air Cleaner
16	691472	Crankshaft Used on Type No(s). 0113, 0116, 0705, 1010, 1085, 3705.	37A	793748	Guard-Flywheel (Muffler Side) Used on Type No(s). 0111, 0112, 0113, 0114, 0115, 0116, 0556, 0705, 1010, 1085, 3705.	180	494406	Tank-Fuel
		----- <b>Note</b> -----				188	692198	Screw (Control Bracket)
		692989 Crankshaft Used on Type No(s). 0111, 0112, 0114, 0115, 0556.	37B	697403	Guard-Flywheel (Carburetor Side) Used on Type No(s). 0111, 0112, 0113, 0114, 0115, 0116, 0556, 0705, 1010, 1085, 3705.	190	691640	Screw (Fuel Tank) (1 3/4" Long)
20	★391483S	Seal-Oil (PTO Side)				190A	691108	Screw (Fuel Tank) (9/16" Long)
22	692551	Screw (Crankcase Cover/Sump)	40	692194	Retainer-Valve	202	698835	Link-Mechanical Governor
23	795549	Flywheel Used on Type No(s). 0113, 0114, 0115, 0556, 0705, 1010, 1085, 3705.	43	697799	Slinger-Governor/Oil	209	698726	Spring-Governor (Pink) Used on Type No(s). 0113, 0705, 1010, 3705.
		----- <b>Note</b> -----	45	691762	Tappet-Valve			----- <b>Note</b> -----
		795695 Flywheel (Used After Code Date 08012900). Used on Type No(s). 0111, 0112, 0116.	46	691998	Camshaft			790220 Spring-Governor (Black) Used on Type No(s). 0111, 0112, 0116.
		690843 Flywheel (Used Before Code Date 08013000). Used on Type No(s). 0111, 0112.	50	699644	Manifold-Intake			698719 Spring-Governor (Light Blue) Used on Type No(s). 0114, 0115, 0556, 1085.
			51	★699649	Gasket-Intake			
			54	691111	Screw (Intake Manifold)			
			55	692144	Housing-Rewind Starter			

★ Engine Gasket Set-Reference 358

Δ Valve Gasket Set-Reference 1095

*Illustrations cover a range of engines. Parts shown without corresponding text may not be used on your specific engine.*

3746-7

Assemblies include all parts shown in frames.

05/27/2008

# 10T600

REF. NO.	PART NO.	DESCRIPTION	REF. NO.	PART NO.	DESCRIPTION	REF. NO.	PART NO.	DESCRIPTION
222	698725	Bracket-Control Used on Type No(s). 0114, 0115, 0705, 1085, 3705.	307	690345	Screw (Cylinder Shield) (Used Before Code Date 06101100).	456	692299	Plate-Pawl Friction
222A	792240	Bracket-Control Used on Type No(s). 0111, 0112.	332	690662	Nut (Flywheel)	459	281505S	Pawl-Ratchet
222B	699326	Bracket-Control Used on Type No(s). 0116, 0556.	333	793281	Armature-Magneto Used on Type No(s). 0111, 0114, 0556, 0705, 1085, 3705.	505	691251	Nut (Governor Control Lever)
222H	795550	Bracket-Control Used on Type No(s). 0113, 1010.	333B	793352	Armature-Magneto Used on Type No(s). 0112, 0113, 0115, 0116, 1010.	523	692040	Dipstick
227	697402	Lever-Governor Control	334	691061	Screw (Magneto Armature)	523A	691913	Dipstick Used on Type No(s). 0113, 0114, 0115.
268	691025	Casing-Control Wire	337	802592S	Plug-Spark Used on Type No(s). 0111, 0112, 0114, 0115, 0116, 0556, 0705, 1010, 1085, 3705.	524	691876	Seal-Dipstick Tube
269	691026	Wire-Control	356	692390	Wire-Stop Used on Type No(s). 0113, 0114, 0115, 0116, 0556, 0705, 1010, 1085, 3705.	525	691320	Tube-Dipstick
270	691027	Nut (Control Wire Casing)	356A	693010	Wire-Stop Used on Type No(s). 0111, 0112.	529	692189	Grommet
271	691028	Lever-Control	358	794209	Gasket Set-Engine	534	691417	Screw (Air Cleaner)
287	691002	Screw (Dipstick Tube)	363	19069	Puller-Flywheel	535	698369	Filter-Air Cleaner Foam
300	692307	Muffler (Super Lo Tone) Used on Type No(s). 0113, 0116, 1010.	365	790029	Screw (Carburetor)	536	698472	Cleaner-Air
300A	394569S	Muffler (Round Lo Tone) Used on Type No(s). 0111, 0112, 0114, 0115, 0556, 0705, 1085, 3705.	383	89838S	Wrench-Spark Plug	562	691119	Bolt (Governor Control Lever)
304	697411	Housing-Blower (Compliance Engines) Used on Type No(s). 0113, 0114, 0115, 0705, 1010, 1085, 3705.	390	691839	Spring-Choke Diaphragm	592	690800	Nut (Rewind Starter)
		----- Note ----- 790297 Housing- Blower (Compliance Engines) Used on Type No(s). 0116, 0556.	393	691837	Screen-Carburetor	597	691696	Screw (Pawl Friction Plate)
304A	791392	Housing-Blower (Non Compliance Engines) Used on Type No(s). 0111, 0112.	394	795083	Diaphragm-Carburetor (Used After Code Date 07080800). ----- Note ----- 495770 Diaphragm- Carburetor (Used Before Code Date 07080900).	608	499706	Starter-Rewind (88 5/8" Rope) Used on Type No(s). 0113, 0114, 0115, 0556, 0705, 1010, 1085, 3705.
305	692198	Screw (Blower Housing)	404	690272	Washer (Governor Crank)			----- Note ----- 690101 Starter- Rewind (70" Rope) Used on Type No(s). 0111, 0112, 0116.
306	690400	Shield-Cylinder (Used Before Code Date 06101100).	455	691236	Cup-Flywheel Used on Type No(s). 0111, 0112, 0113, 0114, 0115, 0116, 0556, 0705, 1010, 1085, 3705.	612	496046S	Tube-Pick Up
						613	691413	Screw (Muffler) Used on Type No(s). 0113, 0116, 1010.
						615	690340	Retainer-Governor Shaft
						616	697405	Crank-Governor
						617	270344S	Seal-O Ring (Intake Manifold)
						621	692310	Switch-Stop (Brake)
						633	691321	Seal-Choke/Throttle Shaft (Throttle)

★ Engine Gasket Set-Reference 358

△ Valve Gasket Set-Reference 1095

Illustrations cover a range of engines. Parts shown without corresponding text may not be used on your specific engine.

3746-8

Assemblies include all parts shown in frames.

05/27/2008



REF. NO.	PART NO.	DESCRIPTION	REF. NO.	PART NO.	DESCRIPTION	REF. NO.	PART NO.	DESCRIPTION
635	66538S	Boot-Spark Plug Used on Type No(s). 0111, 0114, 0556, 0705, 1085, 3705.	836A	790745	Screw (Muffler Guard) (1/2" Long) Used on Type No(s). 0113, 0116, 1010.	957	497929S	Cap-Fuel Tank Used on Type No(s). 0113, 0114, 0115, 0556, 0705, 1010, 1085, 3705.
635B	793351	Boot-Spark Plug Used on Type No(s). 0112, 0113, 0115, 0116, 1010.	836B	691125	Screw (Muffler Guard) (5/8" Long) Used on Type No(s). 0113, 0116, 1010.	957A	791129	Cap-Fuel Tank Used on Type No(s). 0116.
670	691633	Spacer-Fuel Tank	842	★691870	Seal-O Ring (Dipstick Tube)	957B	792878	Cap-Fuel Tank Used on Type No(s). 0111, 0112.
689	691855	Spring-Friction	847	691440	Dipstick/Tube Assembly	969	692523	Screw (Blower Housing Cover) (2/3" Long) Used on Type No(s). 0113, 0114, 0115, 0556, 0705, 1010, 1085, 3705.
718	690959	Pin-Locating (Cylinder)	851	493880S	Terminal-Spark Plug	969A	694046	Screw (Blower Housing Cover) (2 1/4" Long) Used on Type No(s). 0116, 0556.
718A	499047	Pin-Locating (Crankshaft)	851A	692424	Terminal-Spark Plug	976	694394	Primer-Carburetor
724	697478	Retainer-Seal	868	697338	Seal-Valve	1036		Label-Emissions (Available From A Briggs & Stratton Authorized Dealer)
729	690586	Clip-Wire Used on Type No(s). 0113, 0114, 0115, 0556, 0705, 1010, 1085, 3705.	869	699641	Seat-Valve (Intake)	1058	277038	Operator's Manual
741	691805	Gear-Timing	870	699642	Seat-Valve (Exhaust)	1095	498526	Gasket Set-Valve
745	691146	Screw (Brake) (7/8" Long)	871	699643	Bushing-Valve Guide (Exhaust Valve) ----- Note ----- 63709 Bushing-Valve Guide (Intake Valve)	1210	499901	Pulley/Spring Assembly (Pulley)
745A	690859	Screw (Brake) (1/2" Long)	883	★△691880	Gasket-Exhaust	1211	499901	Pulley/Spring Assembly (Spring)
772	691111	Screw (Linkage Cover) Used on Type No(s). 0113, 0114, 0115, 0556, 0705, 1010, 1085, 3705.	913	494409	Seat-Check Valve	1218	695866	Seal-O Ring (Carburetor)
832A	699670	Guard-Muffler (Round Lo Tone) Used on Type No(s). 0556.	921	699796	Cover-Blower Housing Used on Type No(s). 0113, 0114, 0115, 0705, 1010, 1085, 3705.	1319	794467	Label-Warning
832C	790743	Guard-Muffler Used on Type No(s). 0113, 0116, 1010.	921A	793973	Cover-Blower Housing Used on Type No(s). 0116, 0556.	1330	270962	Repair Manual
836	690664	Screw (Muffler Guard) (13/32" Long) Used on Type No(s). 0556.	922	692135	Spring-Brake			
			923	691487	Brake Used on Type No(s). 0113, 0114, 0115, 0556, 0705, 1010, 1085, 3705.			
			925	691349	Cover-Linkage Used on Type No(s). 0113, 0114, 0115, 0556, 0705, 1010, 1085, 3705.			

★ Engine Gasket Set-Reference 358

△ Valve Gasket Set-Reference 1095

*Illustrations cover a range of engines. Parts shown without corresponding text may not be used on your specific engine.*  
3746-9 Assemblies include all parts shown in frames. 05/27/2008